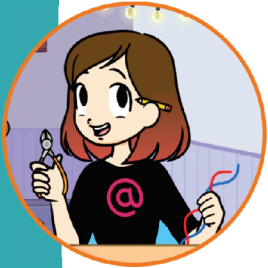


# Fashion Dress

BACKGROUND FROM UIHERE.COM



When you watch movies that take place a long time ago, it's obvious that people used to dress very differently. Colors, styles and details change over the years. A long time ago, people wore animal skins to protect their bodies from the sun, cold and rain. Ancient Egyptians wore beautiful designs and jewelry that showed off their wealth and power. Today, clothing is much more than protection or a symbol of power. It is one way in which we share our personality and our thoughts. These days, people dress to feel good about themselves and around other people. Their clothing tells us who they are, what they think and what they expect from life. Some people even wear their favorite phrases printed right on their T-shirts!

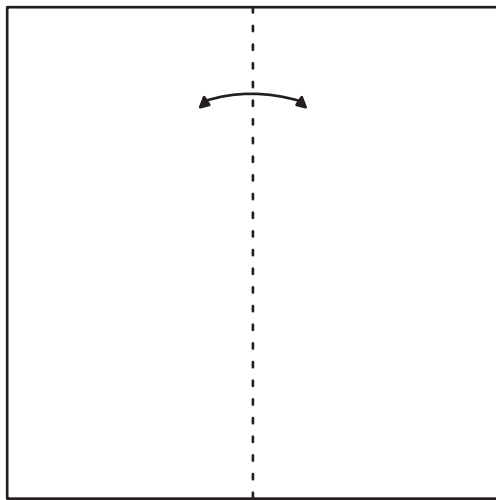
Of course, problems arise in every profession. Nobody set in tal to have problems, but dealing with them teaches us how to handle with our emotions, stay calm and focus. And also to be creative! Did you see how Caily and Reese managed to produce a beautiful dress with the materials they had on hand? Now it's your turn. Fold the origami dress and then decorate it the way you like best. Be creative!

Origami model and text: Rita Foelker  
Created for 'The Paper Girls Show' | Episode 1: 'Fashion Emergency'  
Ages 6+

www.PaperGirls.com  
www.PaperGirls.com/artist-collaborations  
Social: @papergirlstv

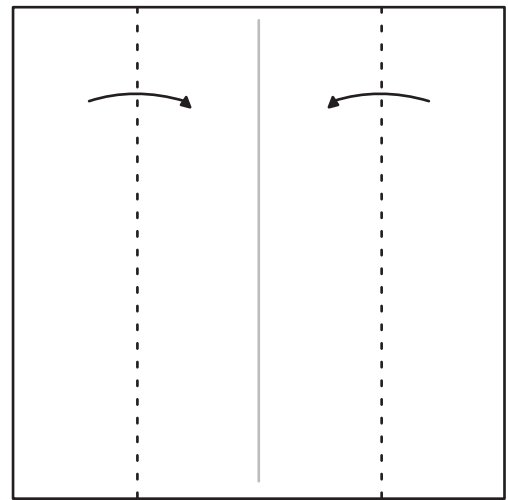
# Fashion Dress steps

USE A SQUARE OF PAPER



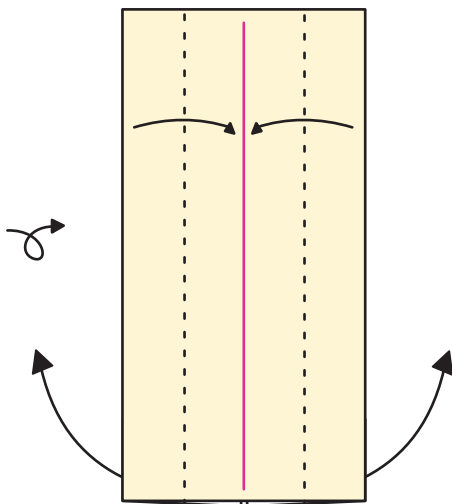
1

1. Fold side to side and unfold.



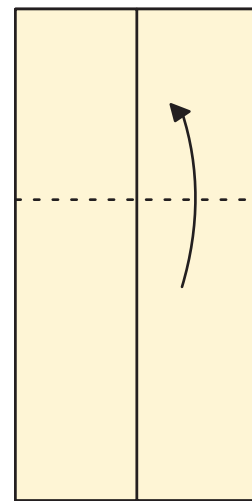
2

2. Take both sides to the center.



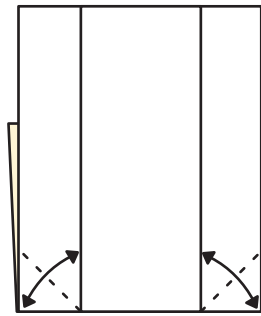
3

3. Turn the model. Take both sides to the center, while opening the back flaps.



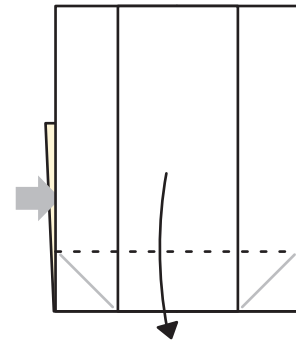
4

4. Fold the bottom part upwards, just above the center.



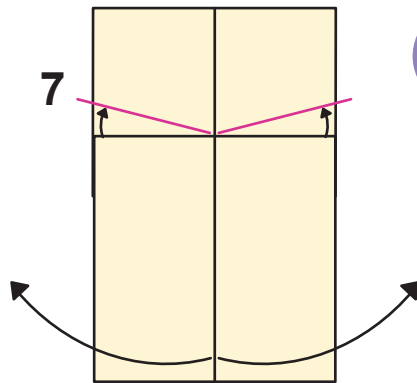
5

5. Crease the two lower corners.



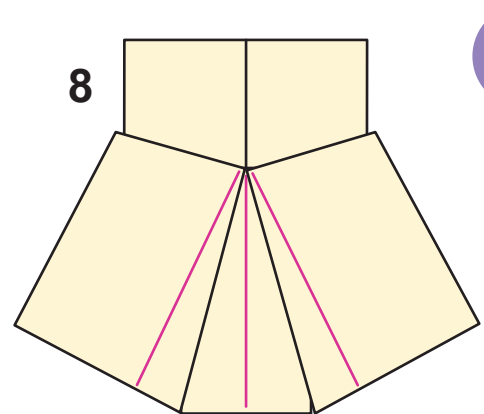
6

6. Fold down at the Step 5 crease limit.



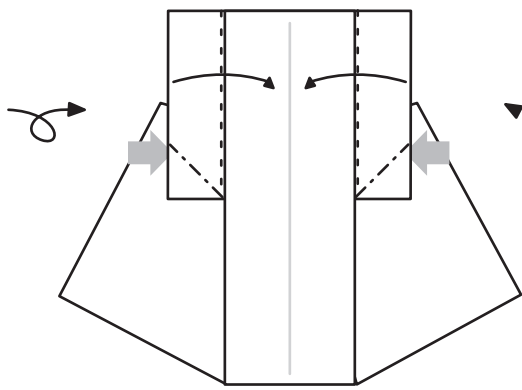
7

7. Slide the right bottom tab, tilting the top line at the same time. Repeat in the left flap.



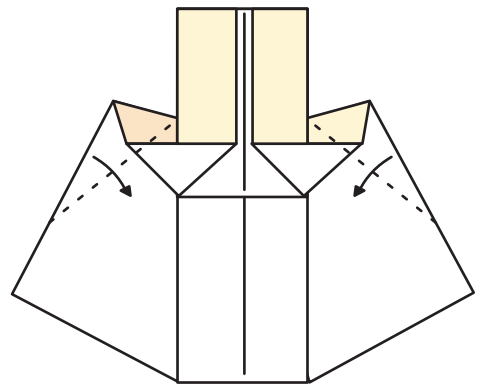
8

8. The result will be this.



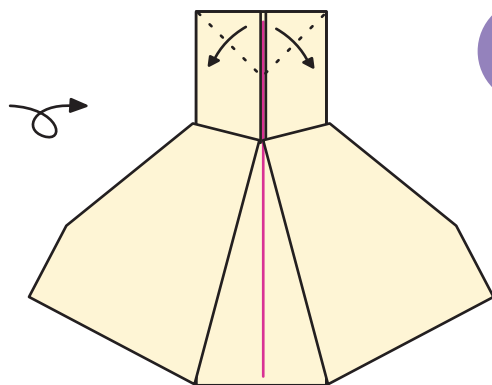
9

9. Turn the model over. Bring the outer flaps to the center, opening and smashing the bottom.



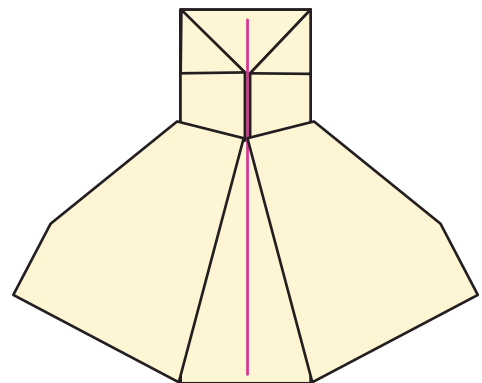
10

10. Fold the two ends down, as shown.



11

11. Turn the model. Fold the top two corners.



**Ready!**  
Now you can color and decorate the Fashion Dress!